



S30

Walkie Straddle Stacker

Compact design for general material handling, stacking and work positioning in tight areas or those where rider equipment may pose a danger to personnel.

CAPACITY

1350kg @ 600mm Load Center

INTEGRAL BATTERY / CHARGER

24-volt maintenance free batteries with 240v smart charger @15A.

S30-128 (2)12V 100AH

SPEED

TRAVEL

Variable from 0 to 5 km/h empty
Variable from 0 to 4.8 km/h loaded

LIFT

Up to 0.2 m/s empty.
Up to 0.15 m/s loaded

LOWERING

Up to 0.13 m/s empty
Up to 0.15 m/s loaded

TIRES / WHEELS

DRIVE

230 x 75 polyurethane

STABILITY

100 x 50 polyurethane

DUAL LOAD

(2) 102 x 73 polyurethane

HYDRAULICS

Lift cylinder is hard chrome and provides smooth lifting and lowering. Pump unit includes premium 3kw solenoid fired DC motor and reservoir.

DRIVE

24-Volt 1.3kw AC drive motor delivers high torque and efficiency to extend duty cycle.

ELECTRICAL

24-Volt ZAPI AC travel control provides high performance throughout the entire speed range. Travel speed remains constant relative to throttle position regardless of load. Separately fused power control circuits, quick disconnect EPD power cut off, and control head mounted hour meter

battery discharge indicator combination gauge complete the system.

BRAKES

Electro-mechanical brake.



OPERATOR CONTROLS

Offset steer arm provides excellent line of sight for operators and allows them to easily walk astride the vehicle during travel. The offset design also allows the vehicle to comfortably right angle stack standard pallets in aisles under seven feet.

Travel, lift, and lower functions are located in the ergonomic operator handle. All operator controls are accessible without having to lift the hand from the handle.

Angle grips are designed to allow easy operation with either hand. Wrap around guard, reversing switch, thumb control, and horn are standard. Low mounted steer arm offers excellent operator comfort and minimum steering effort.

CHASSIS AND MAST

Heavy duty welded steel chassis and I-beam channel mast for added durability and service life. Class II ITA 406mm x 813mm adjustable carriage comes standard with 1070mm x 102mm x 38mm forks and 915mm load basket rest.

Telescoping mast includes a plexiglass mast guard and provides a 3251mm maximum fork elevation with a single cylinder. When collapsed the mast is a height of 2129mm.

102mm wide adjustable straddle legs allows for configurations to fit various sized pallets. Straddle leg inside dimension (ID) can be set at 1070mm to 1270mm in 102mm increments.

Unit features tandem load wheels with fully enclosed wheel guards and flush mounted axles prevent wheel and axle damage.

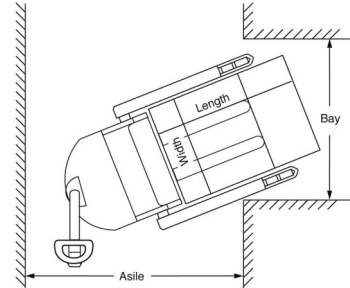
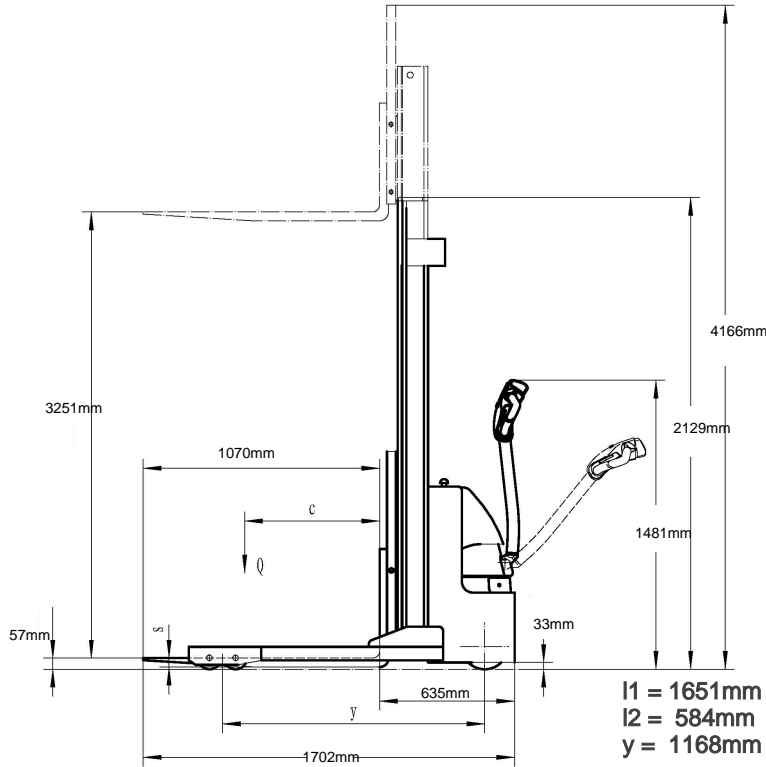
SERVICEABILITY

Removable two piece power head cover allows for easy maintenance and access to all vehicle components.

EQUIPMENT OPTIONS

- Hand held remote lift & lower control box with 915 mm coiled cord





Aisle Guide

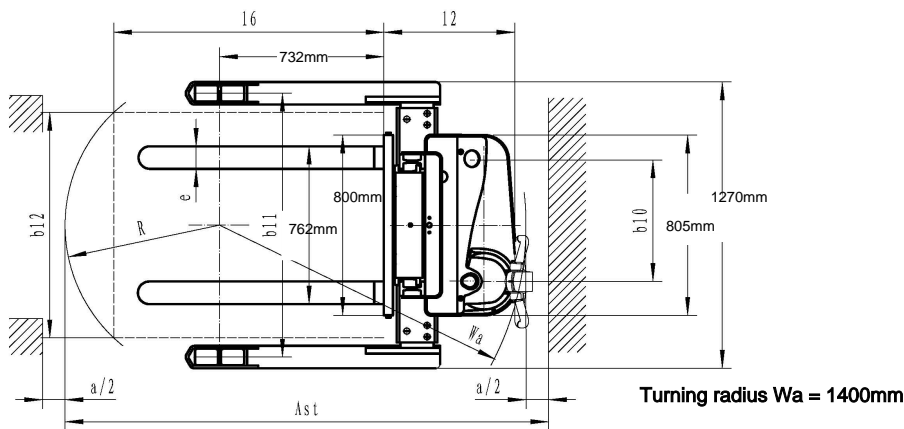
S30-128- Right Angle Stacking

Load Width	Load Length		
	915mm	1016mm	1220mm
915mm	1549mm	1549mm	1549mm
1016mm	1575mm	1600mm	1600mm
1220mm	1702mm	1702mm	1702mm

For ease of use add 203mm to aisle dimension listed

Aisle dimensions listed above assume the minimum bay width to be straddle OD plus 127mm (64mm on each either side of straddle leg). Straddle OD is the load width plus 254mm.

Truck performance may vary due to application requirements and changes in model design.



All measurements shown are in standard "millimeter" units

Model #	Mast	Lift Height	Col Height	Free Lift	Ext Height w/LBR	Adjustable Straddle Leg 102mm Increments		Weight Complete
						ID	OD	
		h3	h1		h4	b12	b2	

1350 kg Capacity @ 600mm Load Center ITA Class II Fork Carriage

S30-128	Two Stage	3251	2129	0	4166	1070 to 1270	1027 to 1473	907 kg
---------	-----------	------	------	---	------	--------------	--------------	--------

^a Complete weight includes truck, battery and charger